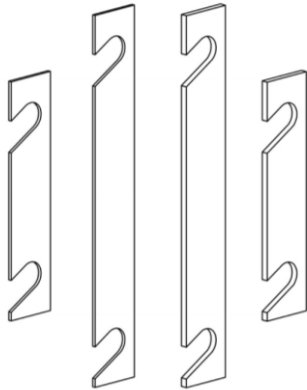


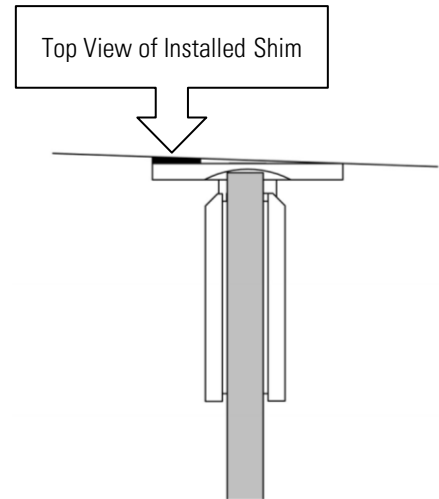
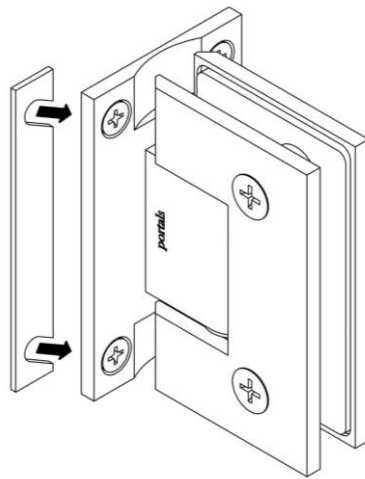
HINGE SHIMS

Product Codes: L.08.420.101 to 108

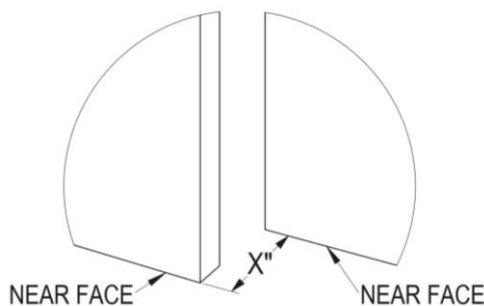


Heavy Duty Full Backplate	L.08.420.103 – 4" x 1/32" Shims L.08.420.104 – 4" x 1/16" Shims
Standard Duty Full Backplate	L.08.420.101 – 3-1/2" x 1/32" Shims L.08.420.102 – 3-1/2" x 1/16" Shims
Heavy Duty Short Backplate	L.08.420.107 – 2-3/4" x 1/32" Shims L.08.420.108 – 2-3/4" x 1/16" Shims
Standard Duty Short Backplate	L.08.420.105 – 2-1/4" x 1/32" Shims L.08.420.106 – 2-1/4" x 1/16" Shims

Shims install behind hinge backplates to correct alignment issues & compensate for non-square walls.



How much misalignment shims can correct depends on shim thickness, door width, & hinge size. Approximate correctable gaps between glass faces (X in diagram) are shown in the table to the right.



	<u>Standard Duty Hinge</u>		<u>Heavy Duty Hinge</u>	
	1/32" Shim	1/16" Shim	1/32" Shim	1/16" Shim
26"	9/16"	1-1/8"	9/16"	13/16"
28"	5/8"	1-1/4"	9/16"	7/8"
30"	5/8"	1-5/16"	5/8"	15/16"
32"	11/16"	1-3/8"	11/16"	1"
34"	--	--	11/16"	1-1/16"
36"	--	--	3/4"	1-1/8"